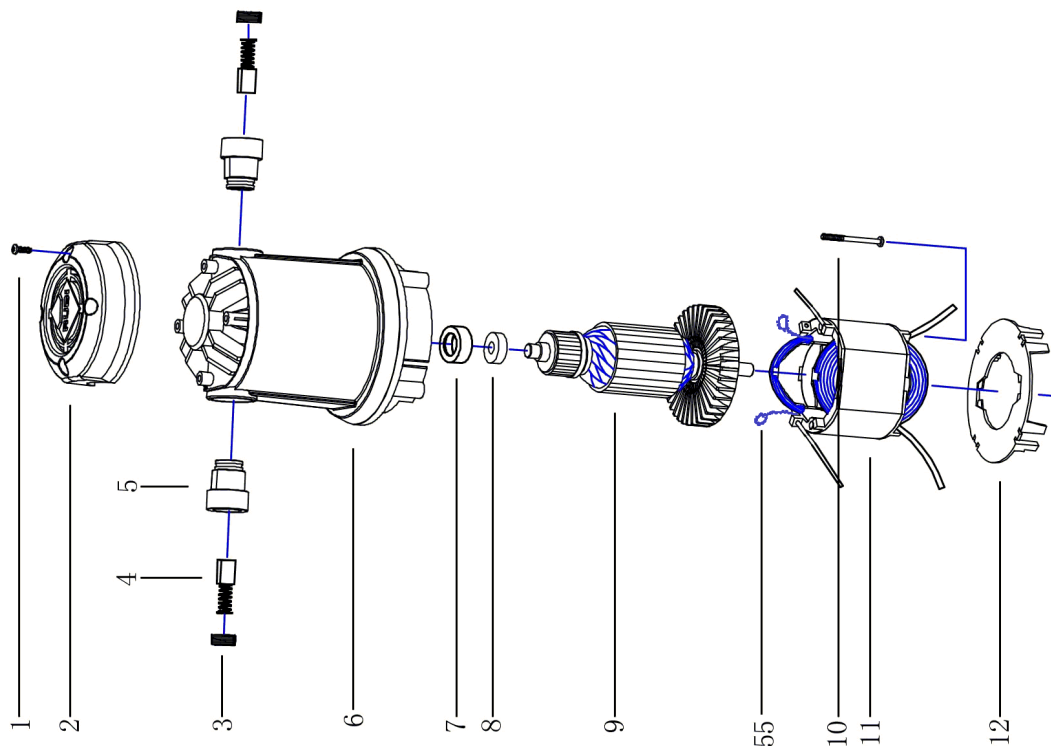


Part-list	ES	EN	Prod.
1	GRUPO MOTOR	MOTOR GROUP	
2	GRUPO ENGRANAJES SUPERIOR	UPPER GEAR GROUP	
3	GRUPO ENGRANAJES INFERIOR	LOWER GEAR GROUP	

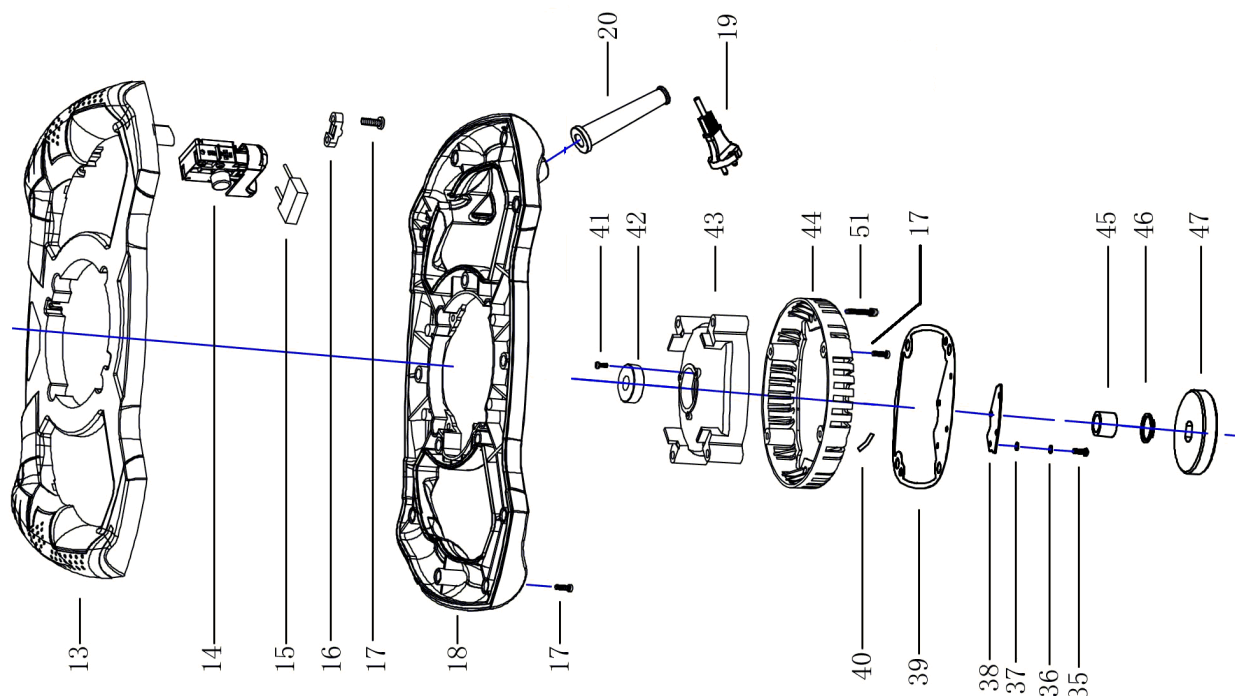
Prod.	ES	EN	From serial num.
26922	RUBIMIX-9 N PLUS 230V 50/60HZ	RUBIMIX-9 N PLUS 230V 50/60HZ	-
26924	RUBIMIX-9 N PLUS 230V 50/60HZ CON MALETA	RUBIMIX-9 N PLUS 230V 50/60HZ CON MALETA	-
26930	RUBIMIX-9 N PLUS 230V 50/60HZ CH	RUBIMIX-9-N PLUS 210/240V 50/60HZ CH	-
26958	RUBIMIX-9 N PLUS 120V USA PORTABROCAS	RUBIMIX-9 N PLUS 120V 50/60HZ USA CHUCK	-

Queda reservado el derecho de introducir cualquier modificacion técnica sin previo aviso

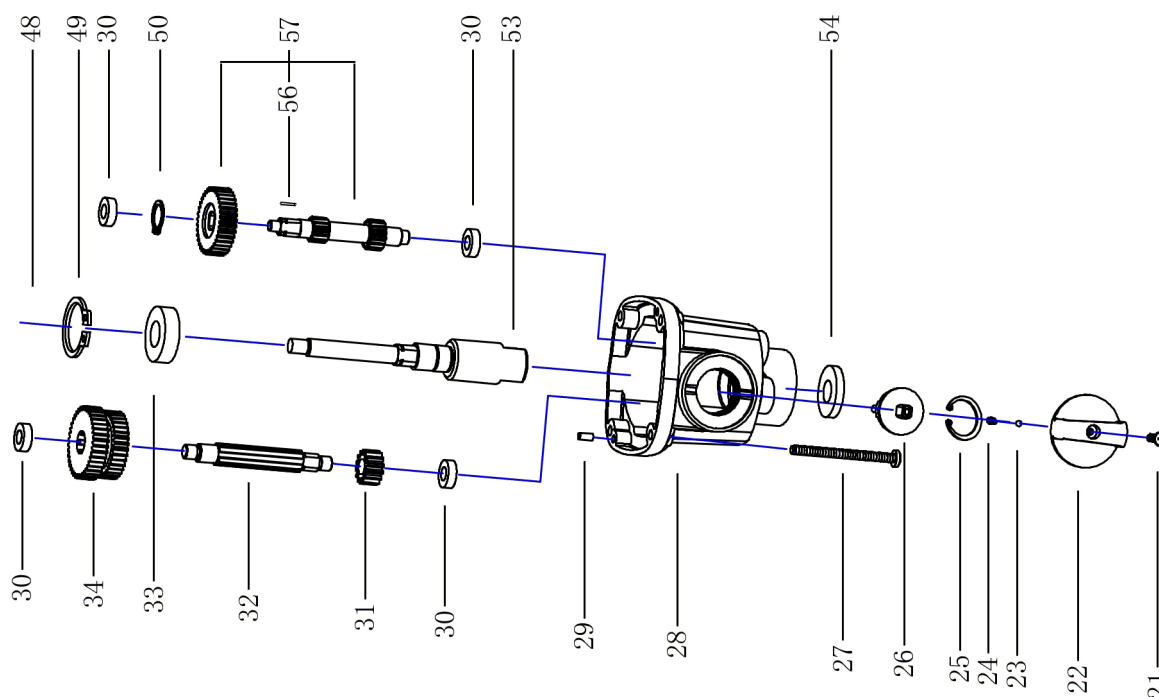
We reserve the right to introduce any technical modification without previous notice



Part-list	ES	EN	Prod.	
1	24505 4	TORN ST4,8X9,5	SCREW ST4,8X9,5	
2	24506 1	TAPA TRASERA RUBIMIX-9N	REAR COVER RUBIMIX-9N	
3	24507 2	JUEGO TAPA PORTAESCOB.RMIX-9N/PLUS (2U)	BRUSH HOLDER COVER RUBIMIX-9N	
4	24532 2	JUEGO ESCOB.RMIX-9N 230V/PLUS (2 UN)	CARBON BRUSHER SET RUBIMIX-9N 230V	26922, 26924, 26930
4	24533 2	JUEGO ESCOB.RMIX-9N 110V/PLUS (2 UN)	CARBON BRUSHER SET RUBIMIX-9N 110V	26958
5	24509 2	JUEGO PORTAESCOB.RMIX-9N/PLUS (2 UN)	BRUSHER HOLDER RUBIMIX-9N	
6	24510 1	CARCASA MOTOR RUBIMIX-9N	MOTOR HOUSING RUBIMIX-9N	
7	25121 1	FUNDA GOMA RUBIMIX-9	RUBBER LOOP RMIX-9-BL	
8	25122 1	RODAMIENTO 6000	BEARING 6000	
9	24525 1	ROTOR 1800W 120V RUBIMIX-9N PLUS	ROTOR 1800W 120V RUBIMIX-9N PLUS	26958
9	24524 1	ROTOR 1800W 230V RUBIMIX-9N PLUS	ROTOR 1800W 230V RUBIMIX-9N PLUS	26922, 26924, 26930
10	51537 2	TORN ST4,8X70	SCREW ST4,8X70	
11	24528 1	ESTATOR 1800W 120V RUBIMIX-9N PLUS	STATOR 1800W 120V RMIX-9N PLUS	26958
11	24527 1	ESTATOR 1800W 230V RUBIMIX-9N PLUS	STATOR 1800W 230V RMIX-9N PLUS	26922, 26924, 26930
12	24512 1	TAPA VENTILADOR RUBIMIX-9N	WIND COVER RUBIMIX-9N	
55	24561 2	JUEGO CON.EST-ESCOB.RMIX-9-N/PLUS(2 UN)	STATOR-BRUSH CONNECT.RMIX-9-N/PLUS	



Part-list	ES	EN	Prod.	
13	24513 1	MANGO SUPERIOR RUBIMIX-9N	UPPER HANDLE RUBIMIX-9N	
14	24637 1	INTERRUPTOR 110V RMX-9/8/16 ERGOMAX V2	SWITCH CONTROL 110V RMX-9/8/16 ERGO V2	26958
14	24636 1	INTERRUPTOR 230V RMX-9/8/16 ERGOMAX V2	SWITCH CONTROL 230V RMX-9/8/16 ERGO V2	26922, 26924, 26930
15	25115 1	CONDENSADOR RUBIMIX-9	CAPACITOR RMX-9-BL	
16	25114 1	FIJACION CABLE RUBIMIX-9	CORD CAMP RMX-9-BL	
17	26211 19	TORN ST3X8 ZN	SCREW ST3X8 ZN	
18	24521 1	MANGO INFERIOR RUBIMIX-9N	LOWER HANDLE RUBIMIX-9N	
19	24381 1	ENCHUFE CABLE RMX-16 230V 2X1MM VDE	POWER CORD RUBIMIX-16 230V 2X1MM VDE	26922, 26924
19	25737 1	ENCHUFE CABLE RUBIMIX-9-N PLUS 230V CH	POWER CORD RUBIMIX-9-N PLUS 230V CH	26930
19	24410 1	ENCHUFE CABLE RMX-16 110V 2X1MM USA	POWER CORD RUBIMIX-16 110V 2X1MM USA	26958
20	25734 1	PROTECCION CABLE RUBIMIX-9-N	CORD GUARD RMX-9-N	
35	26195 4	TORN M3X8 6.8 ZN	SCREW M3X8 6.8 ZP	
36	25580 4	ARAND DE RESORTE 3.0 RUBIMIX-9 PLUS	SPRING WASHER 3.0 RMX-9-BL PLUS	
37	25579 4	ARAND PLANA 3.0 RUBIMIX-9 PLUS	WASHER FLAT 3.0 RMX-9-BL PLUS	
38	25578 1	TAPA DEPOSITO ACEITE RUBIMIX-9 PLUS	OIL COVER RMX-9-BL PLUS	
39	25576 1	JUNTA CAJA ENGRANAJES RUBIMIX-9 PLUS	OIL WASHER RMX-9-BL PLUS	
40	25577 2	MECHA ENGRASE 5X5X40	GREASE WICK 5X5X40	
41	25572 3	TORN M4X6 ST RUBIMIX-9 PLUS	SCREW M4X6 ST RMX-9-BL PLUS	
42	25122 1	RODAMIENTO 6000	BEARING 6000	
43	25736 1	CUBIERTA MOTOR RUBIMIX-9N PLUS	MOTOR COVER RUBIMIX-9N PLUS	
44	24531 1	TAPA VENTILACION RUBIMIX-9N PLUS	WIND COVER RUBIMIX-9N PLUS	
45	25594 1	RODAMIENTO HK1010	BEARING HK1010	
46	56323 1	ANILLO DIN 471 Ø 15	SECURITY RING DIN 471 DIA15	
47	25592 1	ENGRANAJE GRANDE RUBIMIX-9 PLUS	BIG GEAR RMX-9-BL PLUS	
51	24647 4	TORN DIN 7985 M5X25 ZN NEGRO	SCREW DIN 7985 M5X25 ZN NEGRO	



Part-list	ES	EN	Prod.
21	25125 1	TORN M4X12	SCREW M4X12
22	25180 1	SELECTOR VELOCIDAD RUBIMIX-9N/E10/PLUS	GEARBOX SPEED KNOB RUBIMIX-9N/E10/PLUS
23	25178 2	BOLA RODAMIENTO Ø4	BEARING STEEL BALL Ø4
24	25179 2	MUELLE COMPRESION 4,5X7 Ø0,5	COMPRESSION SPRING 4,5X7 Ø0,5
25	25176 1	ANILLO DIN 472 Ø 27	CIRCLIP DIN 472 Ø 27
26	25175 1	EXCENTRICA SELEC.VEL. RMIX-9N/E10/PLUS	SPEED SHIFT CAM RUBIMIX-9N/E10/PLUS
27	19422 4	TORN ST4,8X55	SCREW ST4,8X55
28	25585 1	CAJA DE CAMBIOS RUBIMIX-9 PLUS	GEAR BOX RMIX-9-BL PLUS
29	25586 2	PRISIONERO 4H 8X8 RUBIMIX-9 PLUS	PIN 4H 8X8 RMIX-9-BL PLUS
30	25735 4	RODAMIENTO 698 2Z	BEARING 698 2Z
31	25589 1	ENGRANAJE INICIAL CL.III RUBIMIX-9 PLUS	INITIATIVE GEAR CLASS III RMIX-9-BL PLUS
32	25590 1	ENGRANAJE IMPULSOR CL.III RUBIMIX-9 PLUS	DRIVEN GEAR CL.III RMIX-9-BL PLUS
33	25599 1	RODAMIENTO 6003 2Z	BEARING 6003 2Z
34	25591 1	ENGRANAJE IMPULSOR CL.II RUBIMIX-9 PLUS	DRIVEN GEAR CL.II RMIX-9-BL PLUS
48	51722 1	ANILLO DIN 471 Ø 17 PVN	CIRCLIP DIN 471 Ø 17 PV
49	58050 1	ANILLO DIN 472 Ø 35	CIRCLIP DIN 472 DIA.35
50	16067 1	ANILLO DIN 471 Ø 10	RETAINING RING DIN-471 Ø10
53	25602 1	PASADOR POS.60 RUBIMIX-9 PLUS	SPINDLE POS.60 RMIX-9-BL PLUS
54	24508 1	RETEN GRASA Ø21X26X5	SHAFT GREASE SEAL Ø21X26X5
56	24604 1	CHAVETA EJE ENGRANAJE RUBIMIX	GEAR SHAFT PIN RUBIMIX
57	25748 1	EJE CONDUCCIDO Z11/Z17	DRIVEN SHAFT Z11/Z17